

# Patient Floor Scale

## Model **SR411i** and **SR416i**

The SR411i and SR416i Patient Floor Scales are sleek, innovative scales that provide years of reliable service and accurate weight data.

Designed for virtually effortless patient standing comfort, the low-profile and ultra-wide scales are ideal for surgical centers, telehealth applications and other healthcare settings where a basic, reliable weighing solution is needed. Both scales are designed from a large, easy to stand on platform that supports patients up to 880 Lbs. The SR411i features a wall mounted display while the SR416i has a built-in display. With their always-on AC power supply and high-visibility displays, both models are ready whenever you need to weigh a patient.



Platform size: **23" x 15"**

**SR411i**

### ANTIMICROBIAL

SR Scales exclusive: contains Microban<sup>®</sup> antimicrobial technology for powerful, continuous product protection against bacteria.

### SOLID CAST ALUMINUM CONSTRUCTION

Durable, stable, and easy to clean.

### LOW PROFILE DESIGN

Easy and safe access to weighing surface.

### ULTRA-WIDE BASE

Unique beveled edges slope upwards to a large, comfortable stand-on base that easily accommodates larger patients. The entire top of the scale is part of the weighing surface

### MEMORY RECALL

Automatically stores the last stable weight.

### WALL MOUNTED DISPLAY - SR411i

Ensures height flexibility and proper placement of easy-to-use, large digital readout.

### BUILT-IN DISPLAY - SR416i

Scale is highly portable with easy to use built-in, large digital readout.

### EHR/EMR READY

Serial data output can be used to communicate with electronic health records through send or get commands.

### AC POWERED

Never worry about replacing batteries. The AC adaptor ensures constant power for always-ready usage.

### OPTIONAL EQUIPMENT

Wall Mounted Height Rod  
Bluetooth enabled data output  
(factory option)



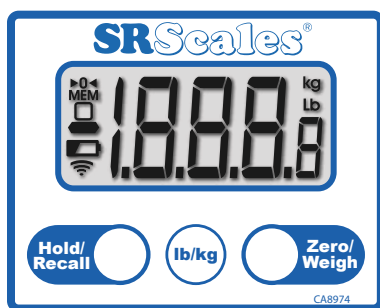
4 YEAR  
WARRANTY

# Patient Floor Scale

## Model SR411i/SR416i

### SYSTEM SPECIFICATIONS

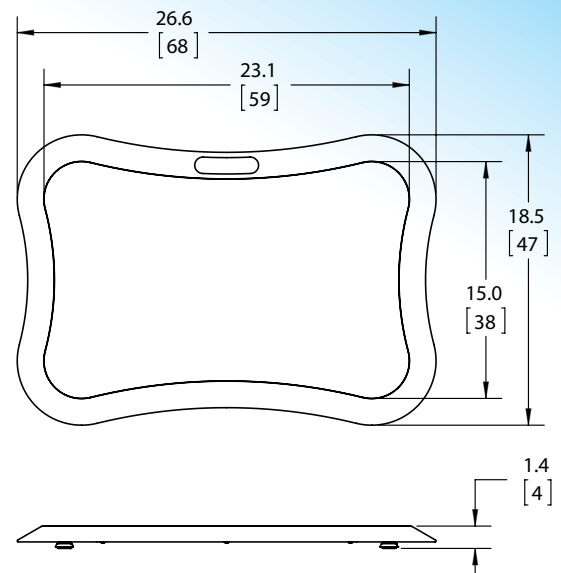
<b>MAX WEIGHT</b>	880 Lb/400 Kg
<b>DISPLAY TYPE</b>	1" digit LCD
<b>DISPLAY RESOLUTION</b>	0.1 Lb/0.1 Kg
<b>ACCURACY</b>	0.1% +/- 1 digit of displayed resolution
<b>DISPLAY UNITS</b>	Pounds / Kilograms
<b>POWER</b>	Medical Grade AC Wall Power Supply
<b>MEMORY</b>	Last stable weight is automatically stored in memory. Press RECALL to retrieve.
<b>SERIAL DATA OUTPUT (EHR)</b>	9-pin serial data output can be used to send weight data to EHR/EMR Systems.
<b>WARRANTY</b>	4 years
<b>ANTIMICROBIAL</b>	See <a href="http://www.microban.com/sr-scales">www.microban.com/sr-scales</a> for specifications on Microban <sup>®</sup> technology



### ACCESSORIES AND OPTIONS

DESCRIPTION	PART NUMBER
<b>KILOGRAM ONLY SCALE</b>	SR411i-KG SR416i-KG
<b>WALL MOUNTED HEIGHT ROD</b>	SR8591
<b>BLUETOOTH ENABLED SCALE (FACTORY OPTION)</b>	SR411i-BT SR416i-BT
<b>REPLACEMENT POWER ADAPTER</b>	FRGSM06U09P1J

### DIMENSIONS in [cm]



### PACKAGING

