

# In-Floor Scale

## Model SR463iR Series

The SR463iR In-Floor Scale is a flush mounted platform scale. This is a great alternative when floor space is at a premium. The flush surface eliminates tripping hazards and hallway accessibility issues. The wall mounted display rotates to allow optimum viewing angle regardless of mounting location.

The weighing surface is covered with durable stainless steel to provide years of maintenance-free use. As a weighing station, the SR463iR series easily accommodates patients with walkers, canes, wheelchairs or stretchers.

The optional built-in thermal printer makes it easy for the caregiver or patient to print out a weight record with a time and date stamp.

Rugged and durable, this scale is built to last with the quality and reliability you've come to expect from SR Scales.



SR463iR-3H

### TOUCHLESS OPERATION

The scale will automatically turn on, lock in a stable weight, and print out a record with weight, date, and time stamp. (BMI can also be calculated and added to the record.)

### STAINLESS WEIGHING PLATFORMS

32" x 36" SR463iR  
32" x 50" SR463iR-3  
48" x 72" SR463iR-4  
Easy to clean and maintain.

### MEMORY RECALL

Recalls the last stored weight.

### OPTIONAL EQUIPMENT

- Built-In Printer – Front-loading easy access thermal printer with auto-cut feature.
- Stainless Steel Hand Rail – Perfect for added patient safety and support. The patient may hold rail without affecting accuracy of the weight reading.



Shown with optional printer



4 YEAR  
WARRANTY



MADE IN  
THE USA

# In-Floor Scale

## Model SR463iR Series



### SYSTEM SPECIFICATIONS

<b>MAX WEIGHT</b>	1000 Lb / 454 Kg
<b>DISPLAY TYPE</b>	16 Character LCD w/ LED Backlight
<b>DISPLAY RESOLUTION</b>	0.1 Lb/Kg
<b>ACCURACY</b>	0.1% +/- 1 digit of displayed resolution
<b>DISPLAY UNITS</b>	Pounds / Kilograms
<b>POWER</b>	120VAC 50-60 Hz
<b>AUTO ZERO</b>	Scale will zero track.
<b>AUTO WEIGH/PRINT</b>	The scale will automatically turn on, lock in a stable weight, and print (printer optional).

<b>MEMORY</b>	Last stable weight is automatically stored in memory. Press RECALL to retrieve.
---------------	---

<b>BMI CALCULATION</b>	Press BMI and input height. Press ENTER to view BMI information.
------------------------	--

<b>BUILT-IN PRINTER</b> (Optional)	Stored information may be sent to the built-in thermal printer and may include: Weight/Time/Date/BMI.
---------------------------------------	---

<b>WARRANTY</b>	4 years
-----------------	---------

**NOTE: Professional installation is required. Please consult with an SR Scales Representative or call our factory for details prior to purchase.**

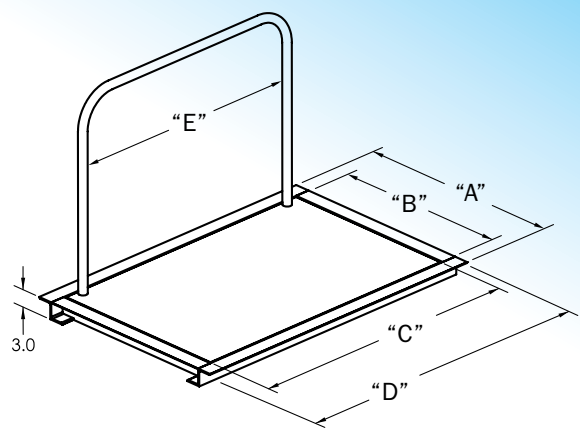
### ACCESSORIES AND OPTIONS

DESCRIPTION	PART NUMBER
<b>32" X 36" PLATFORM</b>	SR463iR
<b>32" X 50" PLATFORM</b>	SR463iR-3
<b>48" X 72" PLATFORM</b>	SR463iR-4
<b>REPLACEMENT PRINTER PAPER</b> (15 rolls per buy)	FRT211C1

- “-KG” suffix for kilogram only
- “-P” suffix to add printer
- “-H” suffix to add handrail
- “-PH” suffix to add both printer and handrail



### DIMENSIONS in



Model #	Platform and Frame Dimensions				
	"A"	"B"	"C"	"D"	"E"
SR463iR	38"	32"	36"	42"	31.5"
SR463iR-3	38"	32"	50"	56"	45.5"
SR463iR-4	53.5"	47.5"	71.5"	77.5"	45.5"

### PACKAGING

These scales ship as truck freight



SR463iR



SR463iR-3



SR463iR-4



SR463iR-H

Specifications subject to change without notice.