

# Stand-On Scale

## Model SR555i

The SR555i Stand-On Scale combines accuracy, portability, and durability into one of the best-selling stand-on weighing systems on the market.

Manufactured of heavy-duty cast aluminum, the SR555i has a weight capacity of 1000 Lbs yet is lightweight, portable, and highly maneuverable, helping to reduce caregiver strain and injury.

A true workhorse designed to go the distance for every-day institutional use.

\*Shown with optional handrails and height bar



Platform size: 15-3/4" x 18-1/2"



Integrated front hand hold

### ANTIMICROBIAL

SR Scales exclusive: contains Microban<sup>®</sup> antimicrobial technology for powerful, continuous product protection against bacteria.

### PORTABLE

Just Tip n' Go! Take the scale to the patient for an ideal point-of-use scale.

### MEMORY RECALL

Recalls the last stored weight.

### BATTERY OPERATED

6 "C" cell batteries provide approximately 10,000 weigh cycles with programmable Auto Power Down (APD) to conserve power.

### SOLID CAST ALUMINUM CONSTRUCTION

Durable and easy to clean.

### INTEGRATED FRONT HAND HOLD

Patient can use the integrated front hand hold for stability without affecting accuracy.

### BMI CALCULATION

Enter height information to calculate and display Body Mass Index.

### EHR/EMR READY

Serial data output can be used to communicate with electronic health records through send or get commands.

### OPTIONAL EQUIPMENT

- Thermal Printer
- Hand Rail – Maximum patient support and safety.
- Height Rod – Easily measure in both inches and centimeters.



4 YEAR WARRANTY



EASY TRANSPORT & STORAGE



MADE IN THE USA


# Stand-On Scale



## Model SR555i




### SYSTEM SPECIFICATIONS

<b>MAX WEIGHT</b>	1000 Lb / 454 Kg
<b>DISPLAY TYPE</b>	16 Character LCD w/ LED Backlight
<b>DISPLAY RESOLUTION</b>	0.1 Lb/Kg
<b>ACCURACY</b>	0.1% +/- 1 digit of displayed resolution
<b>DISPLAY UNITS</b>	Pounds / Kilograms
<b>POWER</b>	6 "C" cell alkaline batteries
<b>BATTERY LIFE</b>	10,000 Weigh Cycles (est. based on 30 second on-time)
<b>AUTO POWER DOWN (APD)</b>	Programmable on-time to conserve battery life. A low battery indication will appear when it's time to replace the batteries.

**MEMORY**  Last stable weight is automatically stored in memory. Press RECALL to retrieve.

**BMI CALCULATION**  
  Press BMI and input height. Press ENTER to view BMI information.

**SERIAL DATA OUTPUT (EHR)**  9-pin serial data output can be used to send weight data to optional printer or EHR/EMR Systems.

**ANTIMICROBIAL** See [www.microban.com/sr-scales](http://www.microban.com/sr-scales) for specifications on Microban® technology

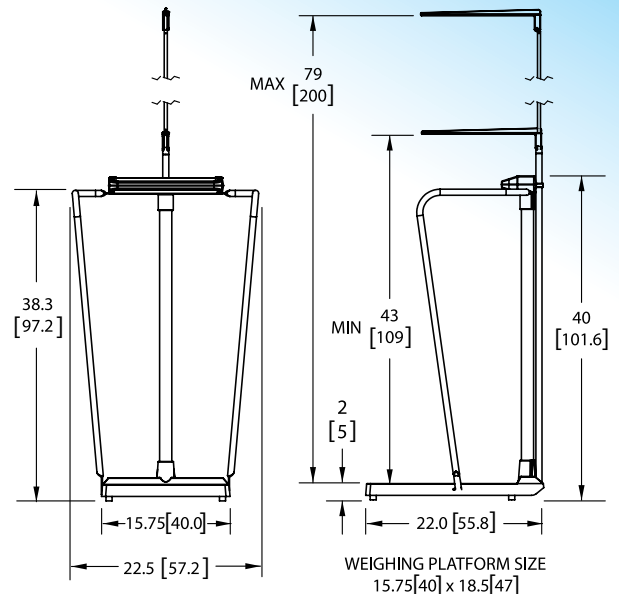
**WARRANTY** 4 years

### ACCESSORIES AND OPTIONS

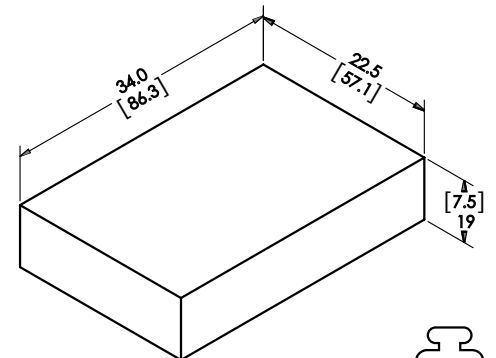
DESCRIPTION	PART NUMBER
<b>KILOGRAM ONLY SCALE</b>	SR555i-KG
<b>PRINTER KIT</b> includes FRAP1300, FRTP130012C, FRBC1300, SE8294, and all mounting hardware	SR8219
<b>REPLACEMENT THERMAL PRINTER</b>	FRAP1300
<b>REPLACEMENT PAPER</b> (10 rolls per box)	FRTP130012C
<b>REPLACEMENT PRINTER POWER ADAPTER</b>	FRBC1300
<b>REPLACEMENT DATA CABLE</b>	SE8294
<b>HEIGHT ROD</b> (ADD CM SUFFIX FOR CENTIMETER)	SR3086MB
<b>HAND RAILS</b> (set of 2)	SR3070

Specifications subject to change without notice.

### DIMENSIONS in [cm]



### PACKAGING



**NOTE: Professional installation is required. Please consult with an SR Scales Representative or call our factory for details prior to purchase.**