

Stand-On Scale

Model SR565i

The SR565i Stand-On Scale is equipped with a larger size platform to accommodate large-sized patients.

The integrated, wide grip, heavy-duty handrail permits patients who have difficulty ambulating to hold on for stability without affecting the weighing accuracy.

Constructed of a heavy-duty cast aluminum, the SR565i has a capacity of 1000 Lbs, yet is lightweight and easily transported by caregivers.

Tough, accurate, and reliable. Why settle for less?



*Shown with optional height rod.

Platform size: 18" x 20"

ANTIMICROBIAL

SR Scales exclusive: contains Microban[®] antimicrobial technology for powerful, continuous product protection against bacteria.

PORTABLE

Just Tip n' Go! Take the scale to the patient for an ideal, point-of-use scale.

MEMORY RECALL

Recalls the last stored weight.

BATTERY OPERATED

6 "D" cell batteries provide approximately 10,000 weigh cycles with programmable Auto Power Down (APD) to conserve power.

SOLID CAST ALUMINUM CONSTRUCTION

Durable and easy-to-clean powder coated finish.

INTEGRATED FRONT HAND HOLD AND SIDE GRIP HANDLES

Patient can use the front hand hold and side grip handles for stability without affecting accuracy.

BMI CALCULATION

Enter height information to calculate and display Body Mass Index.

EHR/EMR READY

Serial data output can be used to communicate with electronic health records through send or get commands.

OPTIONAL EQUIPMENT

- Thermal printer
- Height Rod - Easily measure in both inches and centimeters.



4 YEAR
WARRANTY



EASY TRANSPORT
& STORAGE



MADE IN
THE USA

Stand-On Scale

Model SR565i



SYSTEM SPECIFICATIONS

MAX WEIGHT	1000 Lb / 454 Kg
DISPLAY TYPE	16 Character LCD w/ LED Backlight
DISPLAY RESOLUTION	0.1 Lb/Kg
ACCURACY	0.1% +/- 1 digit of displayed resolution
DISPLAY UNITS	Pounds / Kilograms
POWER	6 "D" cell alkaline batteries
BATTERY LIFE	10,000 Weigh Cycles (est. based on 30 second on-time)
AUTO POWER DOWN (APD)	Programmable on-time to conserve battery life. A low battery indication will appear when it's time to replace the batteries.

MEMORY	Last stable weight is automatically stored in memory. Press RECALL to retrieve.
---------------	----------------------------------------------------------------------------------------

BMI CALCULATION	Press BMI and input height. Press ENTER to view BMI information.
------------------------	--------------------------------------------------------------------------------

SERIAL DATA OUTPUT (EHR)	9-pin serial data output can be used to send weight data to optional printer or EHR/EMR Systems.
---------------------------------	--------------------------------------------------------------------------------------------------

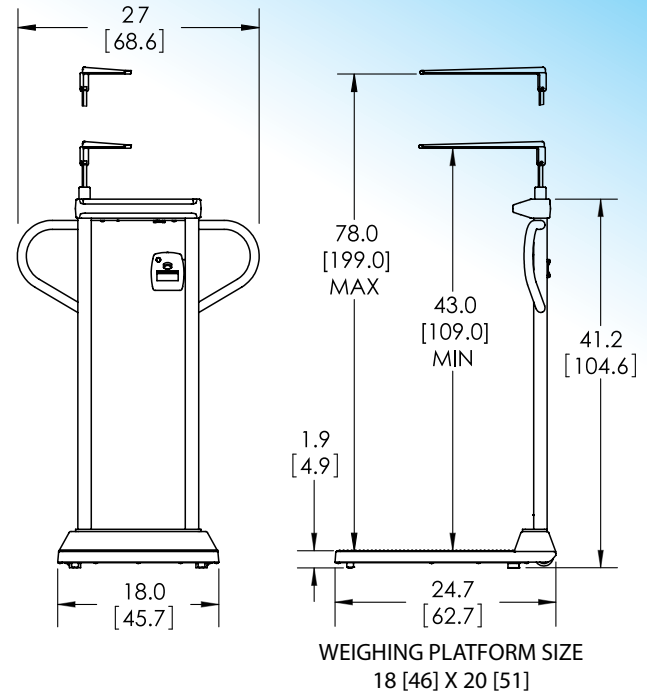
ANTIMICROBIAL	See www.microban.com/sr-scales for specifications on Microban [®]
----------------------	----------------------------------------------------------------------------------------------------------------------------

WARRANTY	4 years
-----------------	---------

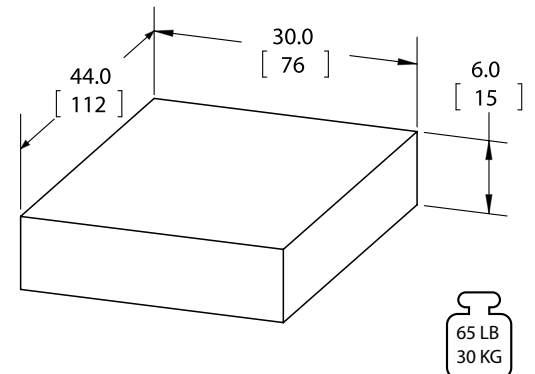
ACCESSORIES AND OPTIONS

DESCRIPTION	PART NUMBER
SCALE WITH HEIGHT ROD	SR565i-H
KILOGRAM ONLY SCALE	SR565i-KG
PRINTER KIT includes FRAP1300, FRTP130012C, FRBC1300, SE8294, and all mounting hardware	SR8220
REPLACEMENT THERMAL PRINTER	FRAP1300
REPLACEMENT PAPER (10 rolls per box)	FRTP130012C
REPLACEMENT PRINTER POWER ADAPTER	FRBC1300
REPLACEMENT DATA CABLE	SE8294
REPLACEMENT HEIGHT ROD (ADD CM SUFFIX FOR CENTIMETER)	SR9110

DIMENSIONS in [cm]



PACKAGING



Integrated front hand hold and side grip handles promote patient stability.