

Pediatric Scale

Model SR615i

The SR615i Pediatric Scale provides reliable and accurate weight data for infants up to 40 pounds. The easy-to-read 16 character LCD displays weight information in any of four modes:

Pounds/Ounces	1/4 oz increments
Pounds Decimal	0.01 pound increments
Kilograms	0.005 kilo increments
Grams	5 gram increments

The optional stainless steel cart offers excellent portability.



*Shown with optional stainless steel cart

LIGHTWEIGHT/PORTABLE

Easy to pick up and take to your patient or use the optional Stainless Steel Cart as a portable weigh station with added storage.

MEMORY RECALL

Recalls the last stored weight.

BATTERY OPERATED

6 "D" cell batteries provide approximately 10,000 weigh cycles with programmable Auto Power Down (APD) to conserve power.

ALUMINUM PLATE CONSTRUCTION

With easy-to-clean plastic shell. Durable and easy-to-clean.

EHR/EMR READY

Serial data output can be used to communicate with electronic health records through send or get commands.

OPTIONAL EQUIPMENT

Thermal printer

Also available in KG-only model



4 YEAR
WARRANTY



MADE IN
THE USA

Pediatric Scale

Model SR615i



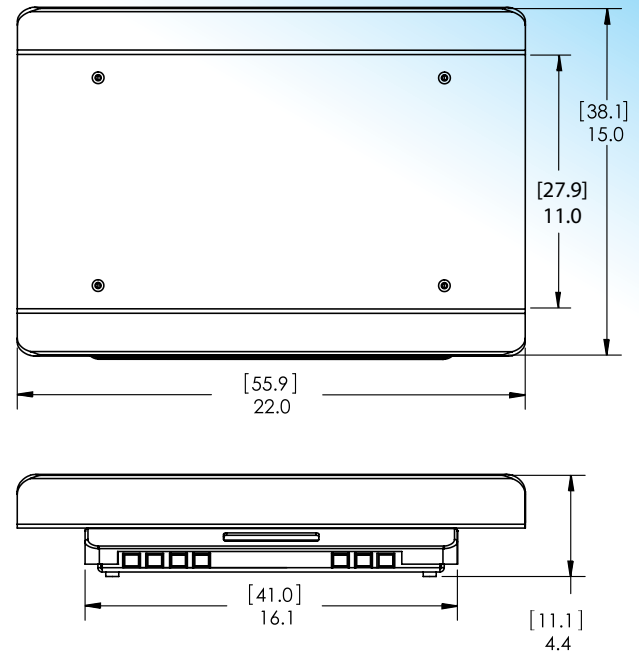
SYSTEM SPECIFICATIONS

MAX WEIGHT	40 Lb / 18 Kg
DISPLAY TYPE	16 Character LCD w/ LED Backlight
DISPLAY RESOLUTION	0.01 Lb, 1/4 oz 0.005 Kg, 5 g
ACCURACY	0.1% +/- 1 digit of displayed resolution
DISPLAY UNITS	Lb / Lb oz / Kg / g
TRAY SIZE	22" x 15" (options available)
POWER	6 "D" cell alkaline batteries
BATTERY LIFE	10,000 Weigh Cycles (est. based on 30 second on-time)
AUTO POWER DOWN (APD)	Programmable on-time to conserve battery life. A low battery indication will appear when it's time to replace the batteries.
MEMORY	Last stable weight is automatically stored in memory. Press RECALL to retrieve.
SERIAL DATA OUTPUT (EHR)	9-pin serial data output can be used to send weight data to optional printer or EHR/EMR systems.
WARRANTY	4 years

ACCESSORIES AND OPTIONS

DESCRIPTION	PART NUMBER
KILOGRAM ONLY SCALE	SR615i-KG
STAINLESS STEEL PEDIATRIC SCALE TABLE	SRC-100
REPLACEMENT 22" TRAY	PF1051-1
OPTIONAL 24" CLOSED END TRAY	PF1374-1
PRINTER KIT Includes FRAP1300, FRTP130012C, FRBC1300, FRAP1300-D9, and all mounting hardware	SR8237
REPLACEMENT THERMAL PRINTER	FRAP1300
REPLACEMENT PAPER	FRAP130012C
REPLACEMENT POWER ADAPTOR	FRBC1300
REPLACEMENT DATA CABLE	FRAP1300-D9

DIMENSIONS in [cm]



PACKAGING

