

# Pediatric Scale

## Model SR635i

The SR635i Pediatric Scale provides reliable and accurate weight data for infants up to 20 Kilograms. The large, durable contoured weighing platform provides a safe and comfortable base for infants and toddlers. The easy-to-read 16 character LCD can display weight information in any of four modes:

Pounds/Ounces	1/4 oz increments
Pounds Decimal	0.01 pound increments
Kilograms	0.005 kilo increments
Grams	5 gram increments

The integrated, smooth-gliding cart provides quiet movement of the scale and features two storage shelves.



### ANTIMICROBIAL

SR Scales exclusive: contains Microban<sup>®</sup> antimicrobial technology for powerful, continuous product protection against bacteria.

### PORTABLE

Scale can be easily rolled to where the patient is with quiet casters and integrated shelves for added storage. Two locking casters provide cart stability.

### MEMORY RECALL

Recalls the last stored weight.

### BATTERY OR AC POWERED

6 "D" cell batteries provide approximately 10,000 weigh cycles with programmable Auto Power Down (APD) to conserve power.

### ALUMINUM PLATE CONSTRUCTION

Antimicrobial composite shelves and weighing platform are durable, lightweight, and easy-to-clean.

### EHR/EMR READY

Serial data output can be used to communicate with electronic health records through send or get commands.

### OPTIONAL EQUIPMENT

Thermal printer

Also available in KG-only model



4 YEAR  
WARRANTY

# Pediatric Scale

## Model SR635i



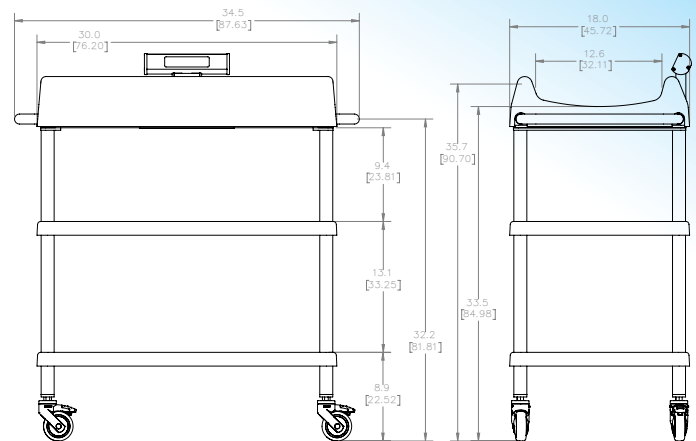
### SYSTEM SPECIFICATIONS

<b>MAX WEIGHT</b>	44 Lb / 20 Kg
<b>DISPLAY TYPE</b>	16 Character LCD w/ LED Backlight
<b>DISPLAY RESOLUTION</b>	0.01 Lb, 1/4 oz 0.005 Kg, 5 g
<b>ACCURACY</b>	0.1% +/- 1 digit of displayed resolution
<b>DISPLAY UNITS</b>	Lb / Lb oz / Kg / g
<b>CRADLE SIZE</b>	30" x 12-1/2"
<b>POWER</b>	6 "D" cell alkaline batteries or AC wall adaptor
<b>BATTERY LIFE</b>	10,000 Weigh Cycles (est. based on 30 second on-time)
<b>AUTO POWER DOWN (APD)</b>	Programmable on-time to conserve battery life. A low battery indication will appear when it's time to replace the batteries.
<b>MEMORY</b>	Last stable weight is automatically stored in memory. Press RECALL to retrieve.
<b>SERIAL DATA OUTPUT (EHR)</b>	9-pin serial data output can be used to send weight data to optional printer or EHR/EMR systems.
<b>ANTIMICROBIAL</b>	See <a href="http://www.mircroban.com/sr-scales">www.mircroban.com/sr-scales</a> for specifications on Microban <sup>®</sup> technology
<b>WARRANTY</b>	4 years

### ACCESSORIES AND OPTIONS

DESCRIPTION	PART NUMBER
<b>KILOGRAM ONLY SCALE</b>	SR635i-KG
<b>MICROBAN<sup>®</sup> INFUSED PEDIATRIC SCALE CART</b>	SRC-600
<b>REPLACEMENT POWER ADAPTOR</b>	FRGSM06U09P1J
<b>PRINTER KIT</b> Includes FRAP1300, FRTP130012C, FRBC1300, FRAP1300-D9, and all mounting hardware	SR8237
<b>REPLACEMENT PRINTER</b>	FRAP1300
<b>REPLACEMENT PAPER</b>	FRTP130012C

### DIMENSIONS in [cm]



### PACKAGING

