

# Wall Mount Scale

(Ambulance Gurney)

**Model SR7010i**

The ultimate space saver. Designed for flush wall mount, the SR7010i platform scale tucks away neatly when not in use to maximize your use of floor space.

The extra-large weighing surface with integrated ramps will easily accommodate patients with walkers, canes, wheelchairs, and gurneys.

Constructed of heavy-duty aluminum plate, the SR7010i has a weight capacity of 1000 Lbs. Counter-balancing actuators make light work out of raising and lowering the weighing surface.

It's there when you need it and safely out of the way when you don't.



Shown with optional printer

Platform size: 38" x 48"

## ANTIMICROBIAL

SR Scales exclusive: contains Microban® antimicrobial technology for powerful, continuous product protection against bacteria.

## AUTO-WEIGH

The scale will automatically turn on, lock in a stable weight, and send a record of the weight, date, and time stamp to the optional printer. (BMI can also be calculated and added to the record.)

## MEMORY

Recalls the last stored weight.

## POWER

Medical grade wall power supply.

## BMI CALCULATION

Enter height information to calculate and display Body Mass Index.

## OPTIONAL EQUIPMENT

Thermal printer



4 YEAR WARRANTY






MADE IN THE USA

# Wall Mount Scale

## Model SR7010i



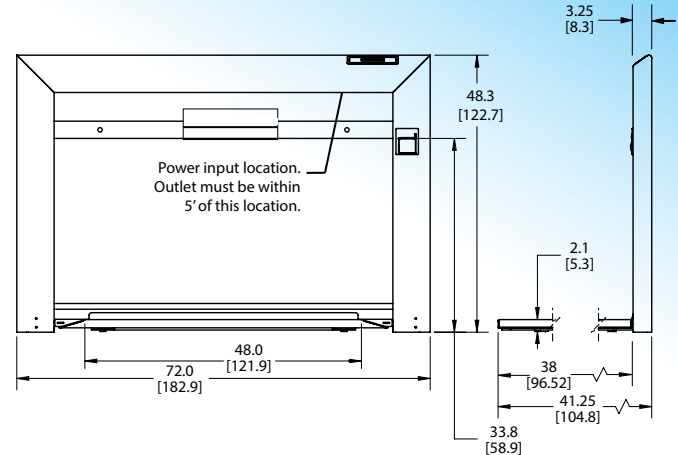
### SYSTEM SPECIFICATIONS

<b>MAX WEIGHT</b>	1000 Lb / 454 Kg
<b>DISPLAY TYPE</b>	16 Character LCD w/ LED Backlight
<b>DISPLAY RESOLUTION</b>	0.1 Lb/Kg
<b>ACCURACY</b>	0.1% +/- 1 digit of displayed resolution
<b>DISPLAY UNITS</b>	Pounds / Kilograms
<b>POWER</b>	Medical Grade AC Wall Power Supply
<b>AUTO POWER DOWN (APD)</b>	Programmable on-time.
<b>AUTO WEIGH/PRINT</b>	The scale will automatically turn on, lock in a stable weight, and print (printer optional).
<b>MEMORY</b> 	Last stable weight is automatically stored in memory. Press RECALL to retrieve.
<b>AUTO ZERO</b>	Scale will automatically zero when the platform is folded down.
<b>BMI CALCULATION</b>  	Press BMI and input height. Press ENTER to view BMI information.
<b>BUILT-IN PRINTER</b> (Optional)	Stored information may be sent to the built-in thermal printer and may include: Weight/Time/Date/BMI.
<b>ANTIMICROBIAL</b>	See <a href="http://www.microban.com/sr-scales">www.microban.com/sr-scales</a> for specifications on Microban <sup>®</sup>
<b>WARRANTY</b>	4 years

### ACCESSORIES AND OPTIONS

DESCRIPTION	PART NUMBER
<b>WALL MOUNT SCALE WITH PRINTER</b>	SR7010i-P
<b>KILOGRAM ONLY SCALE</b>	SR7010i-KG
<b>REPLACEMENT THERMAL PRINTER</b>	FRNP-P2062
<b>REPLACEMENT PAPER</b> (15 rolls per box)	FRTP211C1
<b>REPLACEMENT POWER ADAPTOR</b>	FRMW173K

### DIMENSIONS in [cm]



### PACKAGING

