

Pediatric Cart

Model SRC-100

The SRC-100 is a great addition to the SR615i or as an all-round utility cart. Made entirely of stainless steel, this cart will provide years of worry-free service.

The cart comes with oversized 4" casters for movement between birthing suites and the nursery. A protective rail around the perimeter keeps items from sliding around the top of the cart.



STAINLESS STEEL CONSTRUCTION

Durable and easy to clean.

OVERSIZE 4" CASTERS

Provide easy movement throughout a clinic or hospital. Includes one brake caster.

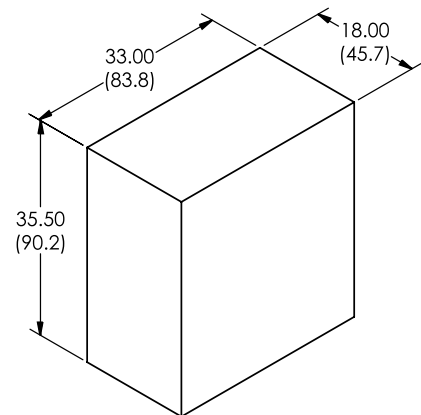
PROTECTIVE RAIL

The top shelf has a top surround to prevent items from sliding off the shelf.

SYSTEM SPECIFICATIONS

DIMENSIONS	18" W x 33" L x 35-1/2" H 45.7 x 83.8 x 90.2 cm
CASTERS	4" Casters (One Brake)
WEIGHT	40 Lb / 18.2 Kg

PACKAGING



MADE IN
THE USA

Specifications subject to change without notice.