

# Pediatric Utility Cart

## Model SRC-600

The SRC-600 is a great companion cart to the SR635i scale. Additionally it can be used for the SR241 and SR615i pediatric scales or as an all around utility cart.

With composite shelving and aluminum corner tubing the cart offers superior stability. Every surface on the cart is infused with Microban<sup>®</sup> antimicrobial product protection, an SR Scales exclusive.

3" smooth-gliding casters provide quiet movement between birthing suites and the nursery. A raised protective edge around the shelf perimeter keeps items in place.



### ANTIMICROBIAL

SR Scales exclusive: contains Microban<sup>®</sup> antimicrobial technology for powerful, continuous product protection against bacteria.

### COMPOSITE SHELVES

Durable and easy to clean.

### 3" QUIET ROLL CASTERS

Provide easy movement throughout a clinic or hospital. Additionally each caster is equipped with a bumper while two casters are brake equipped.

### PROTECTIVE RAIL

All three shelves have a full perimeter raised edge to keep things where they belong.



Shown with SR615i Pediatric Scale (not included)



Shown with SR241 Adult pediatric combo scale (not included)

Specifications subject to change without notice.

# Pediatric Utility Cart

## Model SRC-600

### SYSTEM SPECIFICATIONS

<b>DIMENSIONS</b>	18" W x 30" L x 35.1" H 45.7 x 76.2 x 89.2 cm
<b>CAPACITY</b>	300 lb / 136 kg
<b>CASTERS</b>	3" Casters (Two Brake)
<b>WEIGHT</b>	45 lb / 20.5 kg
<b>ANTIMICROBIAL</b>	See <a href="http://www.microban.com/sr-scales">www.microban.com/sr-scales</a> for specifications on Microban® technology
<b>WARRANTY</b>	4 years



SR635i pediatric scale and SRC600 pediatric cart (Scale not included)

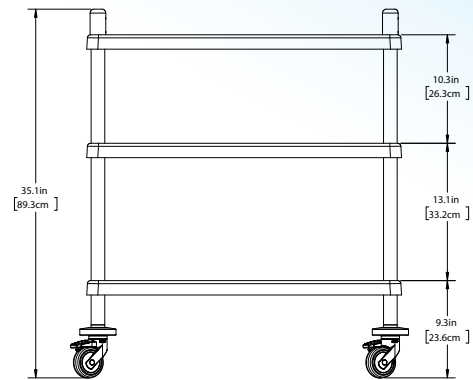
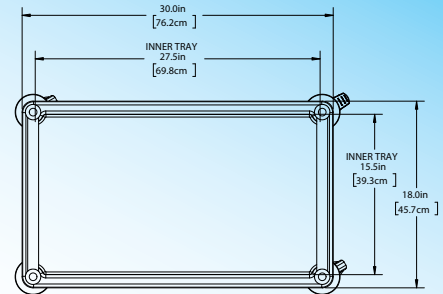


Shown with SR615i Pediatric Scale (not included)

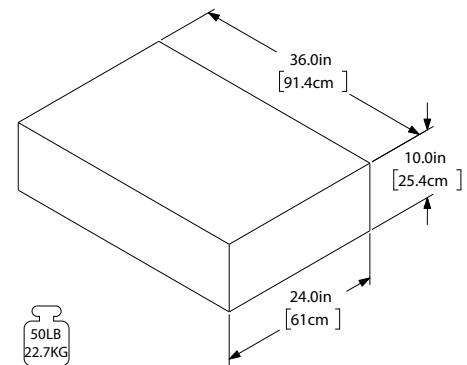


Shown with SR241 Adult pediatric combo scale (not included)

### DIMENSIONS in [cm]



### PACKAGING



Specifications subject to change without notice.