

Marine Platform Scale

Model SRV712W

This app-enabled mobile platform scale makes gathering weight on penguins, sea otters, and other small animals safe and easy by allowing them to be weighed in their habitat.

Constructed from heavy duty stainless steel with sealed load cells, SR marine scales provide years of dependable service.

The built-in readout features wireless capability allowing the scale to be operated remotely with the SR Scales' app (tablet included).

The scale is easily transported to and from exhibits using the built-in wheels and handle.

WIRELESS

The scale's electronics are equipped with wireless communication, enabling the animal keeper to operate the scale at a safe distance using an android tablet or phone.

PLATFORM SIZES

SRV712W	22" x 40"
SRV712W-2	26" x 44"

HEAVY DUTY

Stainless steel platform and sealed electronics provide durable service in the toughest environments.

CAPACITY

1,000 Lbs or 454 Kgs

PORTABLE

Scale is meant to be moved between exhibits with built-in wheels and handle.

POWER

Six "AA" batteries provide up to 800 weigh cycles. (5 minutes/ cycle)



Marine Platform Scale

Model SRV712W

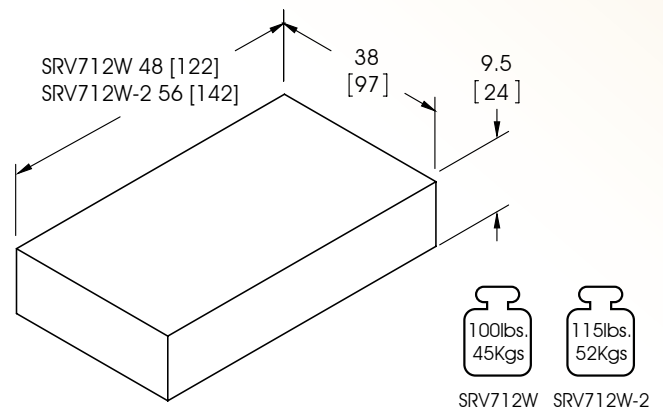
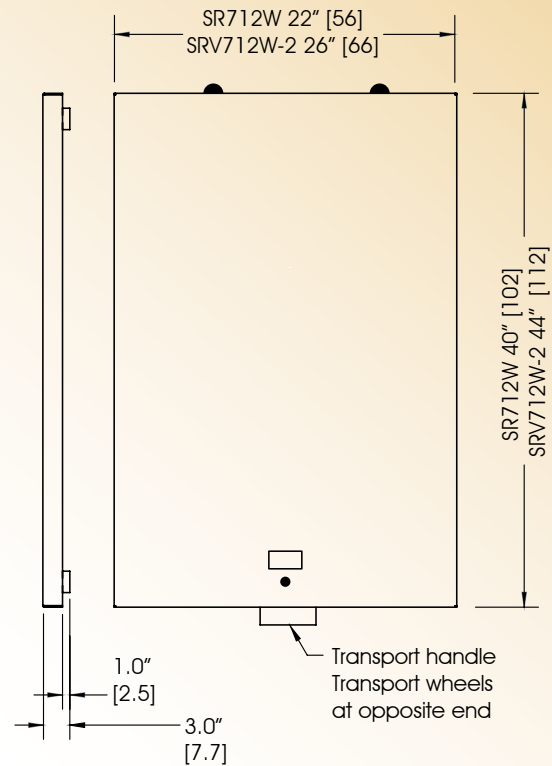
SR Scales[®]
by SR Instruments, Inc.

Quality. Reliability. Accuracy.

SYSTEM SPECIFICATIONS

MAX WEIGHT	1,000 Lb / 454 Kg
DISPLAY RESOLUTION	.2 Lb / .1 kg
BUTTON FUNCTIONS (BUILT IN READOUT)	Zero/Weigh (Hold for Zero)
BUTTON FUNCTIONS (TABLET)	Zero/Weigh, Units, Hold/Recall
DISPLAY UNITS	Pounds / Kilograms
PORTABILITY	Scale is easily transported with wheels and handle.
POWER	Six (6) "AA" Batteries
HELD WEIGHT *TABLET ONLY*	Highest stable weight is automatically stored in memory. Press "Held Wt" on the tablet to recall last stored weight.
AUTO POWER DOWN	Approximately five (5) minutes from last button press.
SCALE WEIGHT	SRV712W 65 Lbs. / 30 Kgs. SRV712W-2 80 Lbs. / 36 Kgs.
WARRANTY	Two (2) Years

DIMENSIONS in [cm]



Specifications subject to change without notice.