

Heavy Duty Scale

Model SRV942

When you need a scale that is durable and heavy duty, consider the SRV942. While used primarily in stationary veterinary practices, this scale also has a wide range of applications in the zoological field.

The durable steel frame and surface are coated with SR's non-slip polyurea treatment and offer a 550 pound weighing capacity.

The rechargeable battery allows remote weighing when required. The SRV942 is equipped with a wall mount AC adaptor for stationary applications.

The scale is equipped with wheels and a fixed handle to allow for easy transport when required.

NON-SLIP PLATFORM

Durable and easy to clean polyurea coating over stainless with aggregate mixed in to create a surface animals are comfortable walking on.

PLATFORM SIZE

22" x 36" platform

AUTO-POWER SHUTDOWN

Automatically shuts down after two minutes of non use when not wall powered.

MULTIPLE POWER SOURCE OPTIONS

Rechargeable battery with AC/DC Adaptor



Heavy Duty Scale

Model SRV942

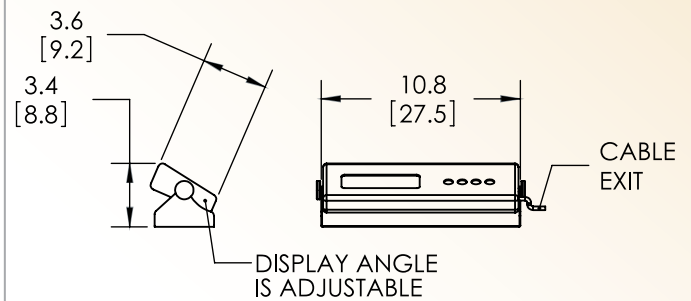
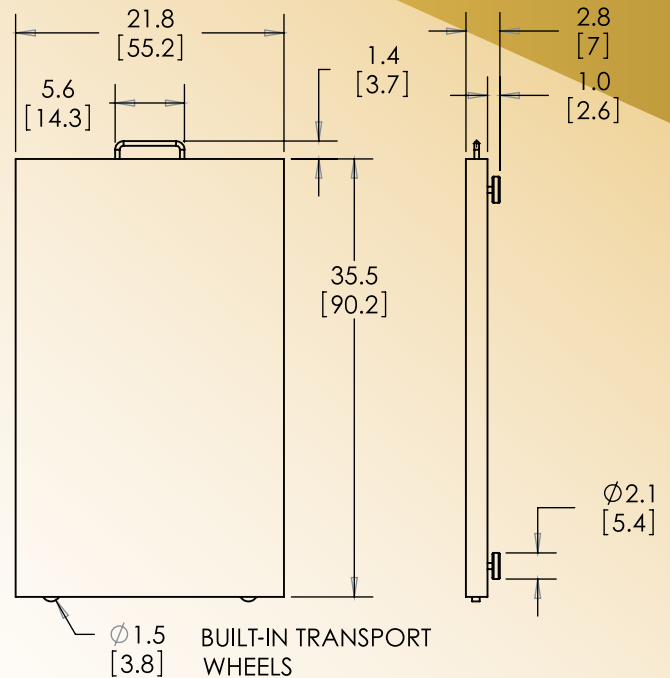
SR Scales[®]
by SR Instruments, Inc.

Quality. Reliability. Accuracy.

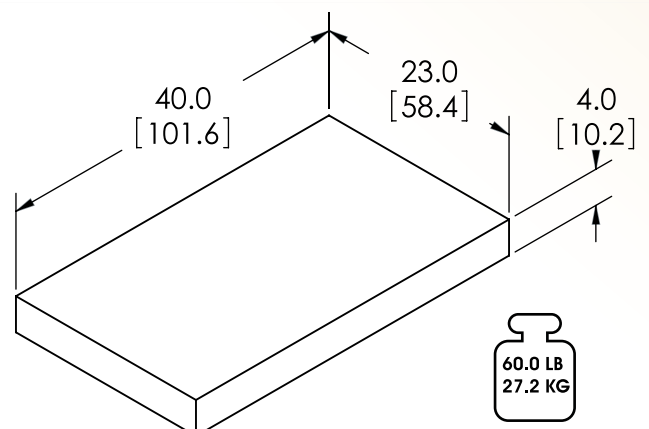
SYSTEM SPECIFICATIONS

MAX WEIGHT	550 Lb / 249 Kg
DISPLAY RESOLUTION	.2 lb / .1 kg
BUTTON FUNCTIONS	On/Zero/Off, Tare, Unit, and Hold
DISPLAY UNITS	Pounds / Kilograms
HOLD	Freezes the weight on the display
TARE	Allows objects to be placed on scale and zeroed out.
POWER	Rechargeable battery with DC Adaptor
SCALE SURFACE	Polyurea surface with aggregate
AUTO-POWER DOWN	Approximately two (2) minutes of non-use
PORTABILITY	Built-in handle and wheels
SCALE WEIGHT	Scale weighs 38 Lbs.
WARRANTY	Two (2) Years

DIMENSIONS in [cm]



PACKAGING



ACCESSORIES AND OPTIONS

DESCRIPTION	PART NUMBER
REPLACEMENT CHARGER	SRV942CH

Specifications subject to change without notice.