

# Floor Scale

## Model SRV94XR Series

The ultra low profile SRV94XR series are sleek innovative scales, that provides years of reliable service and accurate weight data.

Constructed of high strength aluminum, the SRV94XR series is as rugged as they are functional. The scales' surfaces have an extremely durable polyurea coating that offer grip along with ease of cleaning.

With their AC power adaptors, the scales are always on and ready to weigh without pressing any buttons on the display. Optionally, the scales can be remotely operated using the SR Scales app on your phone or tablet.

### NON-SLIP PLATFORM

Durable and easy to clean polyurea coating over aluminum with aggregate mixed in to create a surface animals are comfortable walking on.

### PLATFORM SIZE

- SRV945R 24" x 36"
- SRV947R 24" x 48"
- SRV949R 24" x 60"

### AUTO-WEIGH

An auto-weigh feature allows the scale to wake, and display a weight when an animal steps on.

### OPTIONAL EQUIPMENT

Bluetooth module required for use with SR Scales App (must be factory installed).



# Floor Scale

## Model SRV94XR Series

**SR Scales**<sup>®</sup>

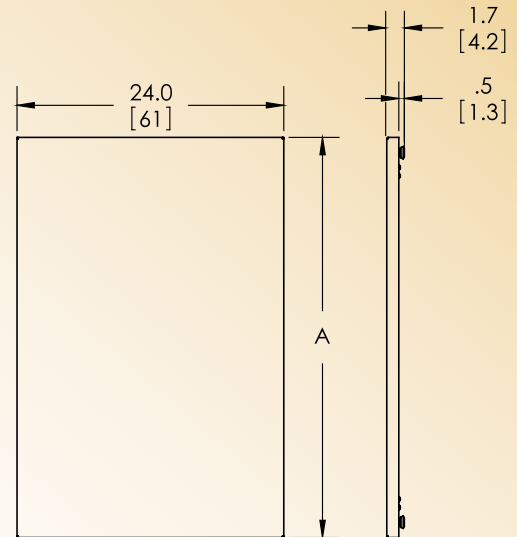
by SR Instruments, Inc.

Quality. Reliability. Accuracy.

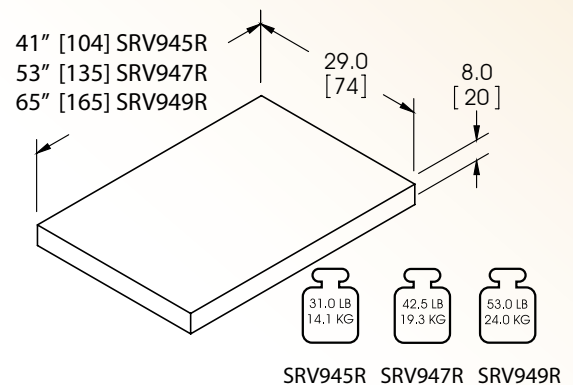
### SYSTEM SPECIFICATIONS

<b>MAX WEIGHT</b>	400 lb / 182 kg	
<b>DISPLAY RESOLUTION</b>	.2 lb / .1 kg	
<b>BUTTON FUNCTIONS</b>	Zero/Weigh, lb/kg, Hold/Recall	
<b>DISPLAY UNITS</b>	Pounds / Kilograms	
<b>MODEL SIZE</b>	SRV945R	24" x 36"
	SRV947R	24" x 48"
	SRV949R	24" x 60"
<b>HOLD</b>	Freezes the weight on the display	
<b>POWER</b>	AC power adaptor	
<b>AUTO ZERO</b>	One button operation	
<b>WARRANTY</b>	Two (2) Years	

### DIMENSIONS in [cm]



### PACKAGING



### ACCESSORIES AND OPTIONS

DESCRIPTION	PART NUMBER
<b>REPLACEMENT AC ADAPTOR</b>	FRGSM06U09P1J
<b>BLUETOOTH WIRELESS</b>	Add -BT Suffix to P/N

Please note the wireless model still includes the wall mounted display.

Specifications subject to change without notice.